

# A New Meccano Loom

By "Spanner"

## Motor Driven Weaves Real Cloth

I AM now able to give constructional details of a new Meccano weaving Loom that has been specially designed in response to many requests that I have received from Meccano enthusiasts. This Loom is easy to build and comparatively easy to adjust when completed, and it is one of the most simple automatic machines of this type that can be designed. Even so it is a complicated mechanism, and it is intended therefore as a subject for older model-builders. The shuttle used in the model is built up entirely from standard Meccano Parts.

The main constructional details of the model are given in this issue and next month I shall complete the instructions and give details for adjusting and working the Loom, together with details of a simple Beaming Frame that is required for preparing the warp ready for placing in position in the Loom.

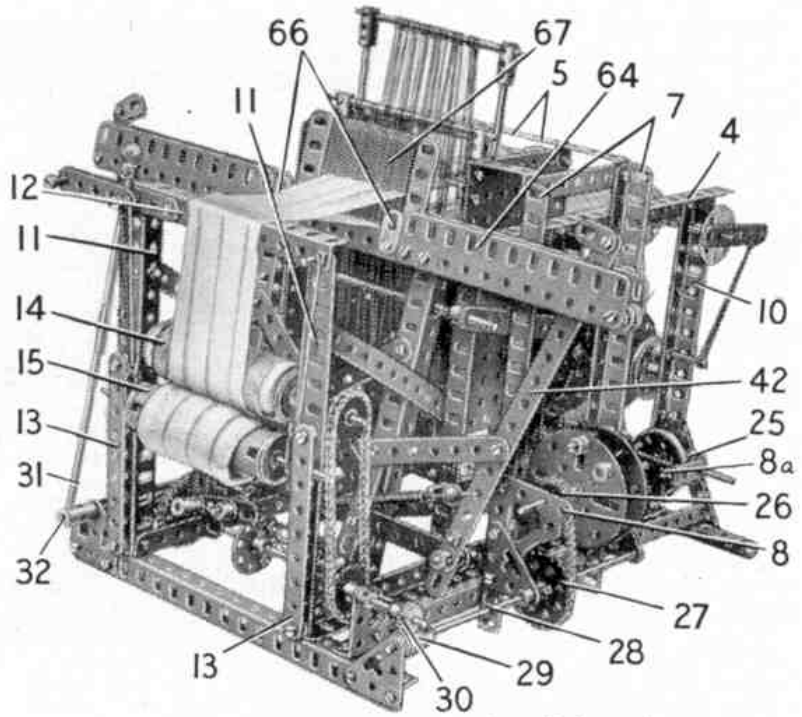


Fig. 1. The fine Meccano weaving loom described on these pages.

### Construction of the Frame

The base of the frame (Fig. 2) is built from four  $12\frac{1}{2}$ " Angle Girders bolted to two  $9\frac{1}{2}$ " Angle Girders. Four  $7\frac{1}{2}$ " Angle Girders 1 are bolted to the inside Angle Girders 2 and are held firm by two  $5\frac{1}{2} \times 3\frac{1}{2}$ " Flat Plates 3, which support two  $9\frac{1}{2}$ " Angle Girders 4 (see Figs. 1 and 2). Two  $4\frac{1}{2} \times \frac{1}{2}$ " Double Angle Strips 5 are fixed between the Flat Plates 3. Bolted to the inside of the Flat Plates 3 are four  $3\frac{1}{2}$ " Angle Girders 6 (Figs. 2 and 4), spaced from the Plates by three Washers on each bolt. Two  $9\frac{1}{2}$ " Angle Girders 7 (Fig. 5), are secured to the base and connected to the top of the Plate 3 by  $1\frac{1}{2} \times \frac{1}{2}$ " Double Angle Strips. Two Corner Gussets 8 and 8a and two  $1\frac{1}{2}$ " Corner Brackets are bolted to the Girders 7 as shown in Figs. 1 and 5. To the Corner Gusset 8a two  $1 \times 1$ " Angle Brackets are fixed, and these, together with two Girder Brackets 9, form the bearings for the driving shaft 24 to the heald tappets. Two  $7\frac{1}{2}$ " compound girders 10 (Fig. 5), are bolted to the base and to the  $9\frac{1}{2}$ " Angle Girders 4, and are braced to the base by  $3\frac{1}{2}$ " Strips. At the other end of the base two  $7\frac{1}{2}$ " compound girders 11 are fixed. These support the *breast beam*, which is a  $5\frac{1}{2}$ " Angle Girder 12. To the girders 11 are also bolted

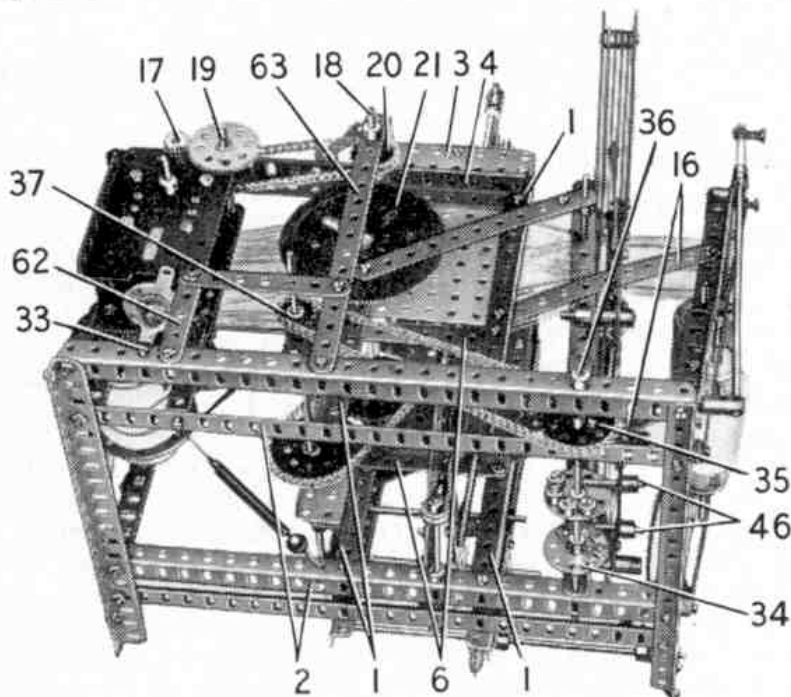


Fig. 2. The loom seen from below, to show details of the frame and the mounting for the E20R Electric Motor.