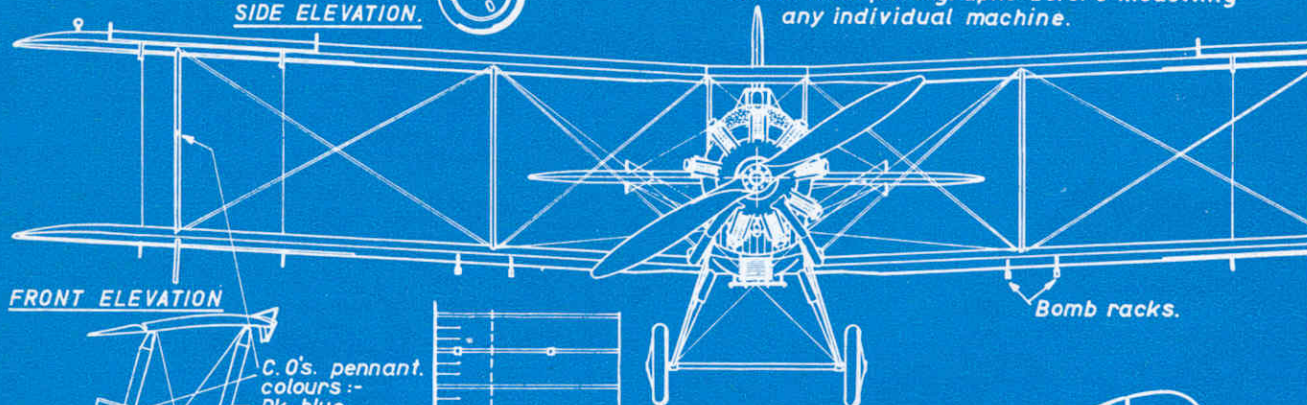


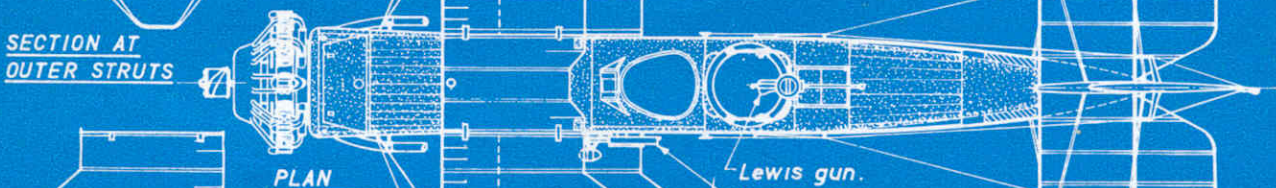
NOTE Wapiti aircraft varied considerably in detail, check with photographs before modelling any individual machine.



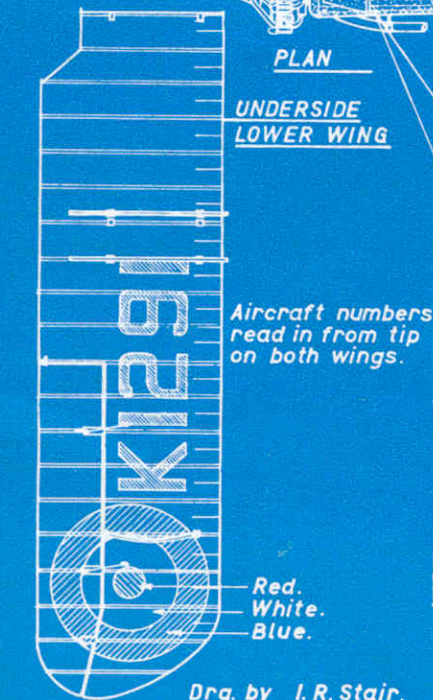
FRONT ELEVATION



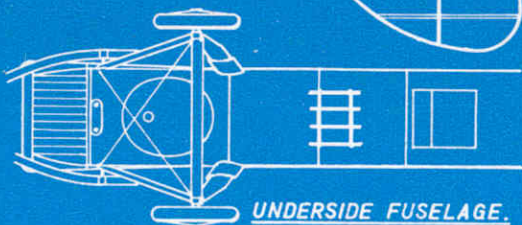
SECTION AT OUTER STRUTS



PLAN



UNDERSIDE LOWER WING



UNDERSIDE FUSELAGE.

WESTLAND WAPITI Mk IIA.

BRISTOL JUPITER ENGINE.

K.1291. - Commanding Officers aircraft No. 27 (Bomber) Squadron, Kohat, India, 1936.

COLOURS :-

Wings, rear fuselage, tail unit - silver.
Forward fuselage, undercarriage - bright aluminium. Fuselage top - dark grey.
Struts, guns, tyres, engine, exhaust pipes, oil cooler, bomb racks, - black.

Drg. by I. R. Stair.

SCALE 0 5 ft.